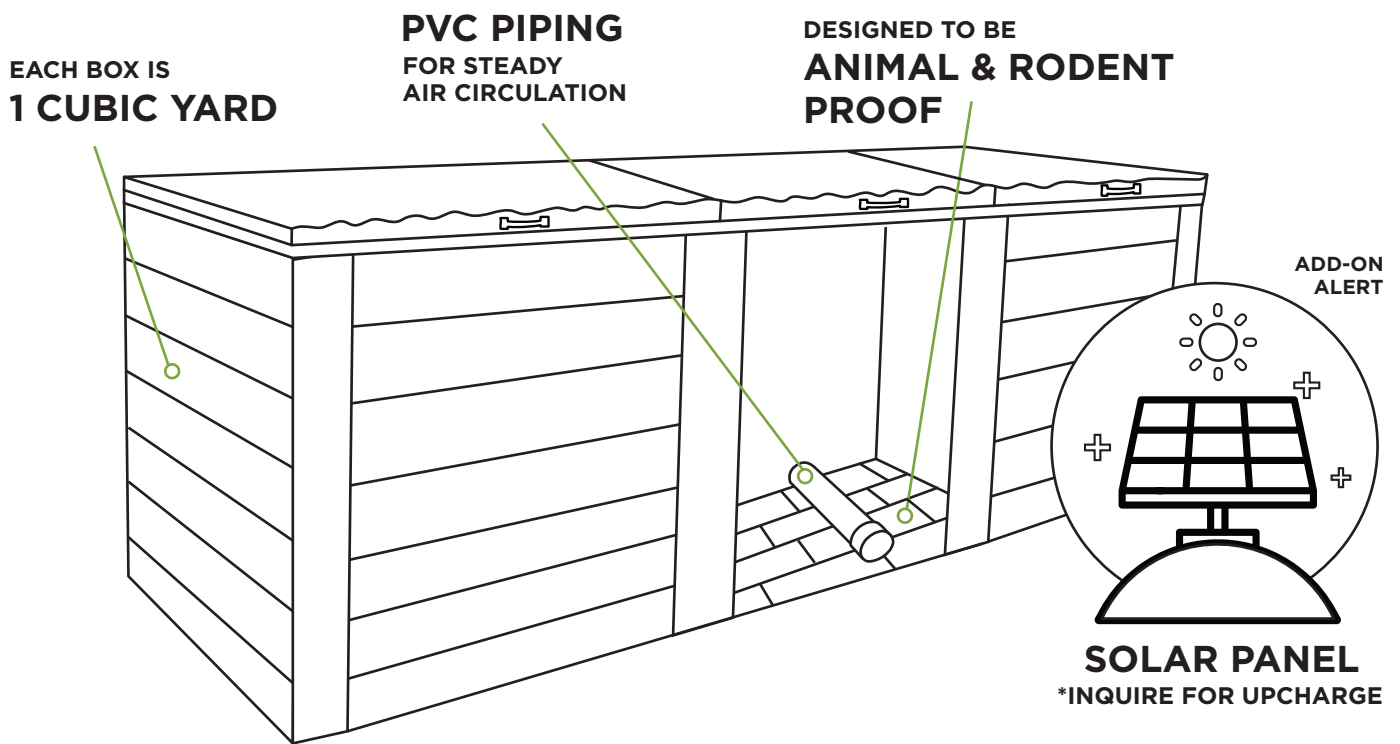
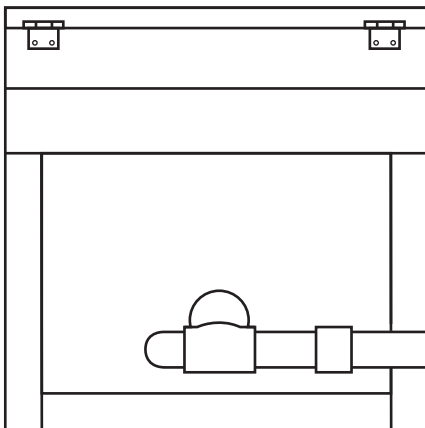




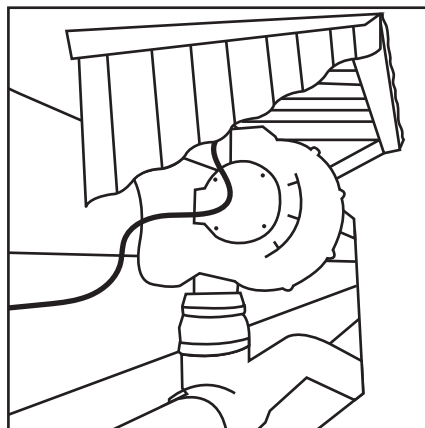
ASP THREE BOX COMPOST SYSTEM



BACK OF SYSTEM AIR PIPING

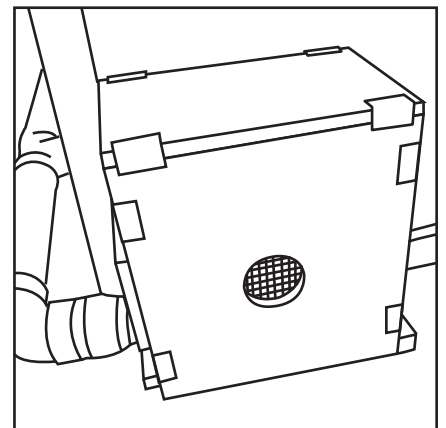


AIR BLOWER* 1/2 HORSEPOWER



*SHOWN WITH STANDARD ROOF COVERING

BOXED FAN COVER FULL PROTECTION FROM WEATHER



SPECS

CAPACITY

- EACH BOX CAN COMPOST ~ 550 LBS OF FOOD
- RATIO OF CARBON (WOOD CHIPS) TO NITROGEN (FOOD SCRAPS) NEEDS TO BE MAINTAINED AT ~ 1:1
- EACH BOX WILL PRODUCE APPROXIMATELY 1/2 TO 2/3 OF A CUBIC YARD OF FINISHED COMPOST

DIMENSIONS

- EACH BOX IS 4' X 4' X 4'

MATERIALS

- PVC PIPING, PAVERS & CHOICE OF CEDAR, PLYWOOD, OR PRESSURE TREATED WOOD
- REQUIRES ELECTRICAL HOOK UP TO POWER FAN OR CAN BE UPGRADED TO SOLAR

PROCESSING TIME

- TAKES ABOUT TWO MONTHS FOR MATERIAL TO DECOMPOSE, ONCE FULL
- MATERIAL SHOULD BE EMPTIED, SIFTED (IF DESIRED) AND LEFT TO CURE IN AN OPEN PILE OR IN A FOURTH BOX

ESTIMATED COST

STARTING AT \$2,000 PER BOX, PLUS TAX

REV. 10/26



VISIT US ONLINE TO COMMISSION A BUILD

CLICK JAVASCOMPOST.COM